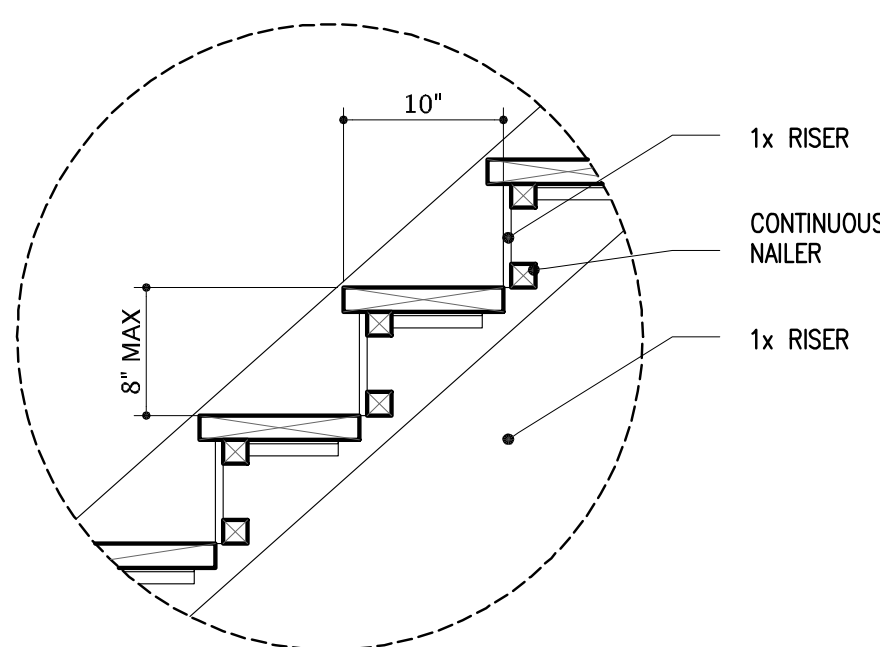
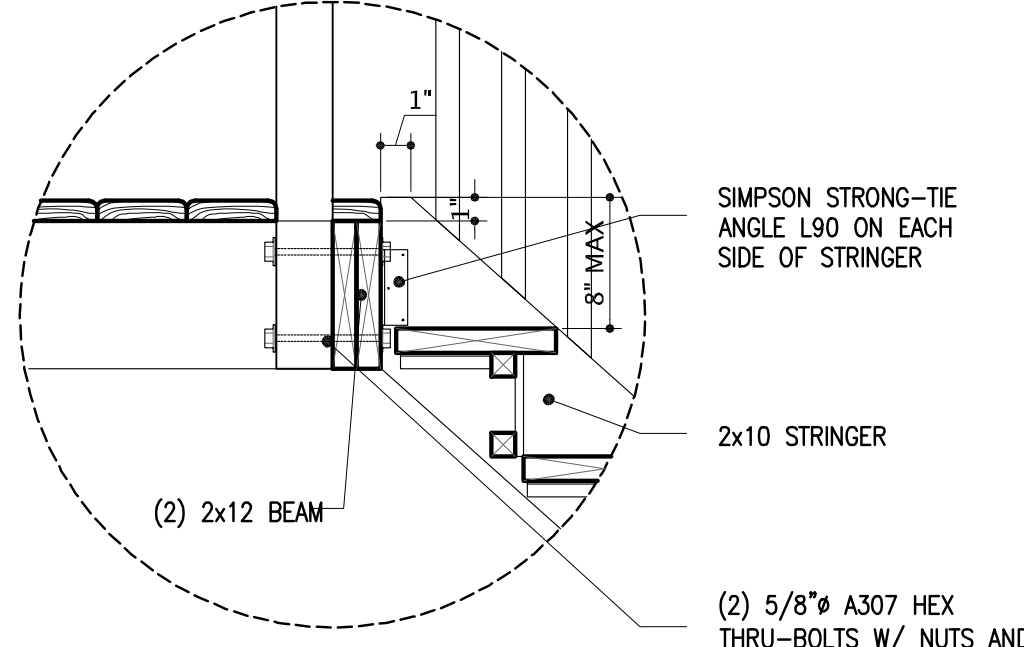


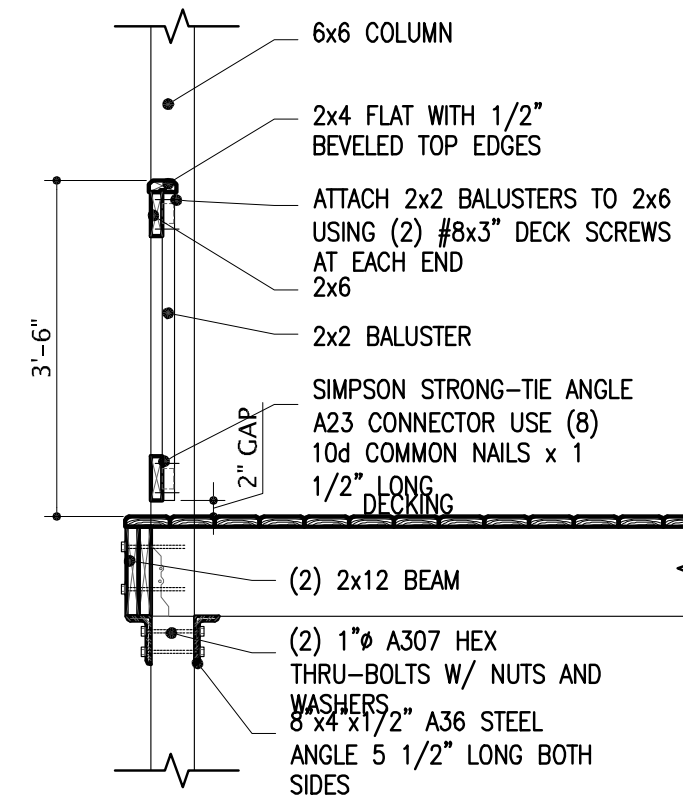
STAIR DETAIL "A" Scale: NTS
File: 1



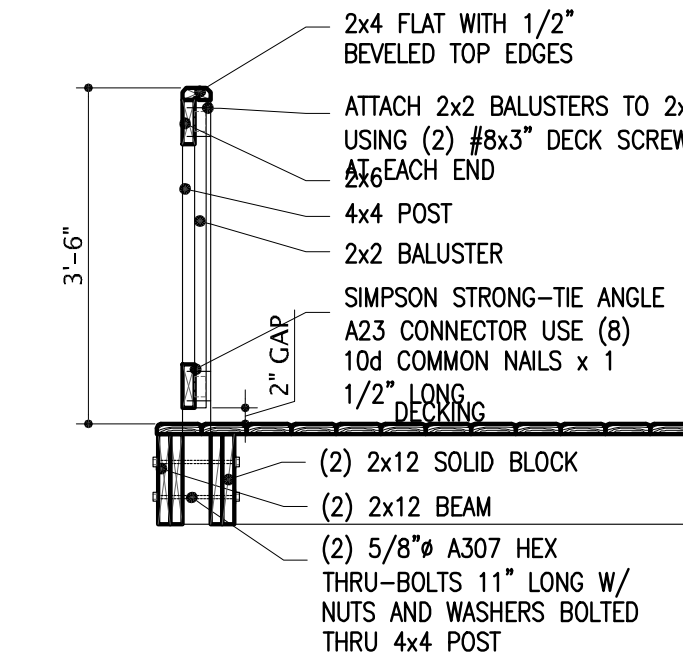
STAIR DETAIL "B" Scale: NTS
File: 2



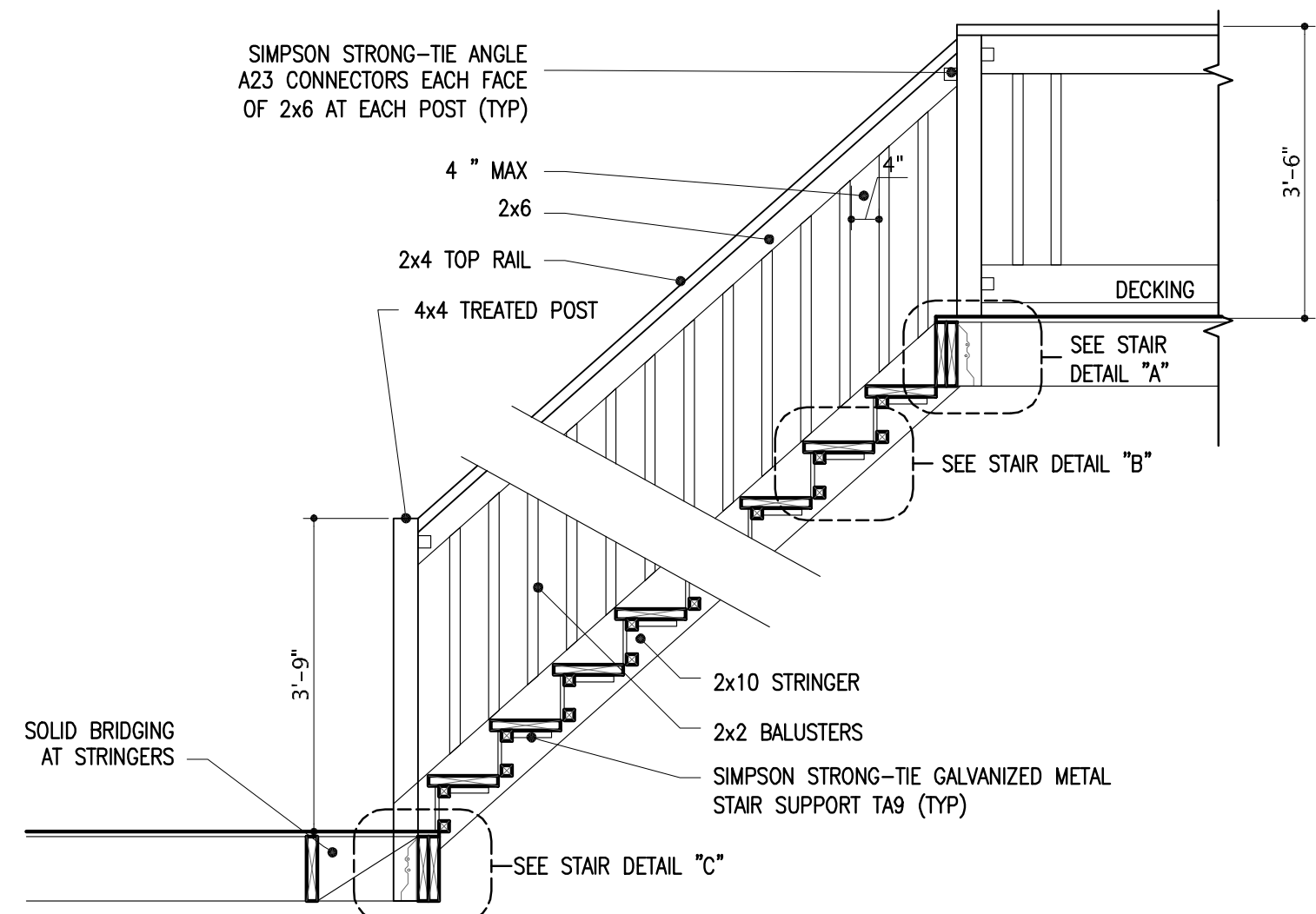
STAIR DETAIL "C" Scale: NTS
File: 3



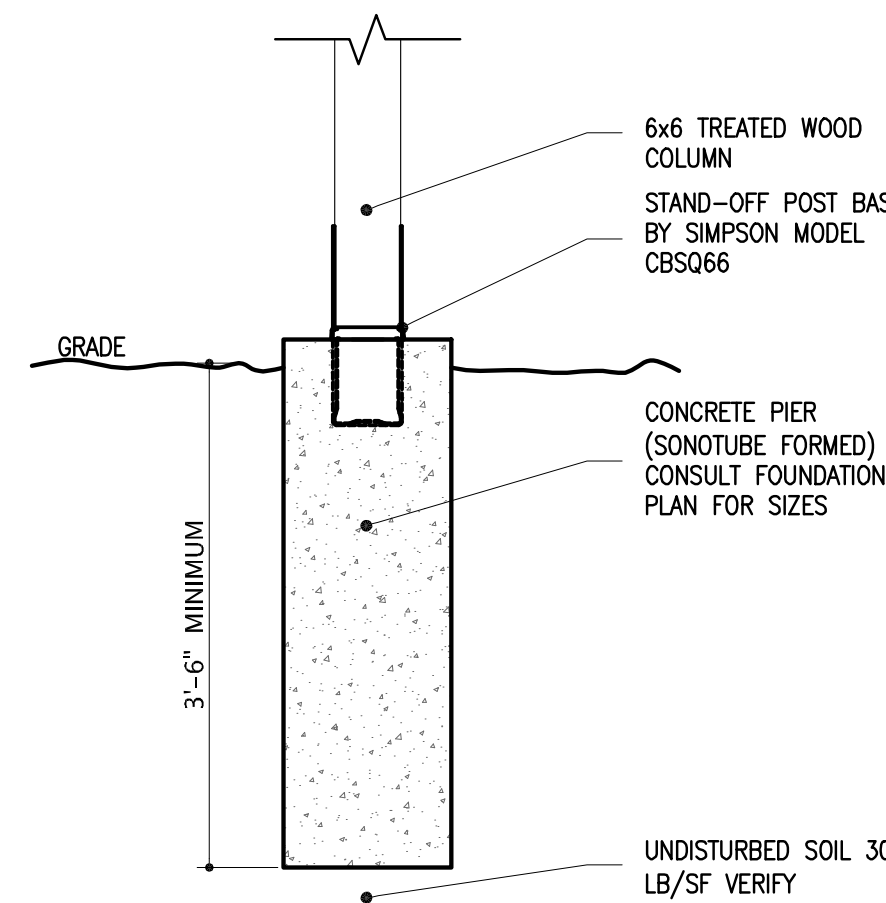
RAILING SECTION Scale: NTS
File: 4



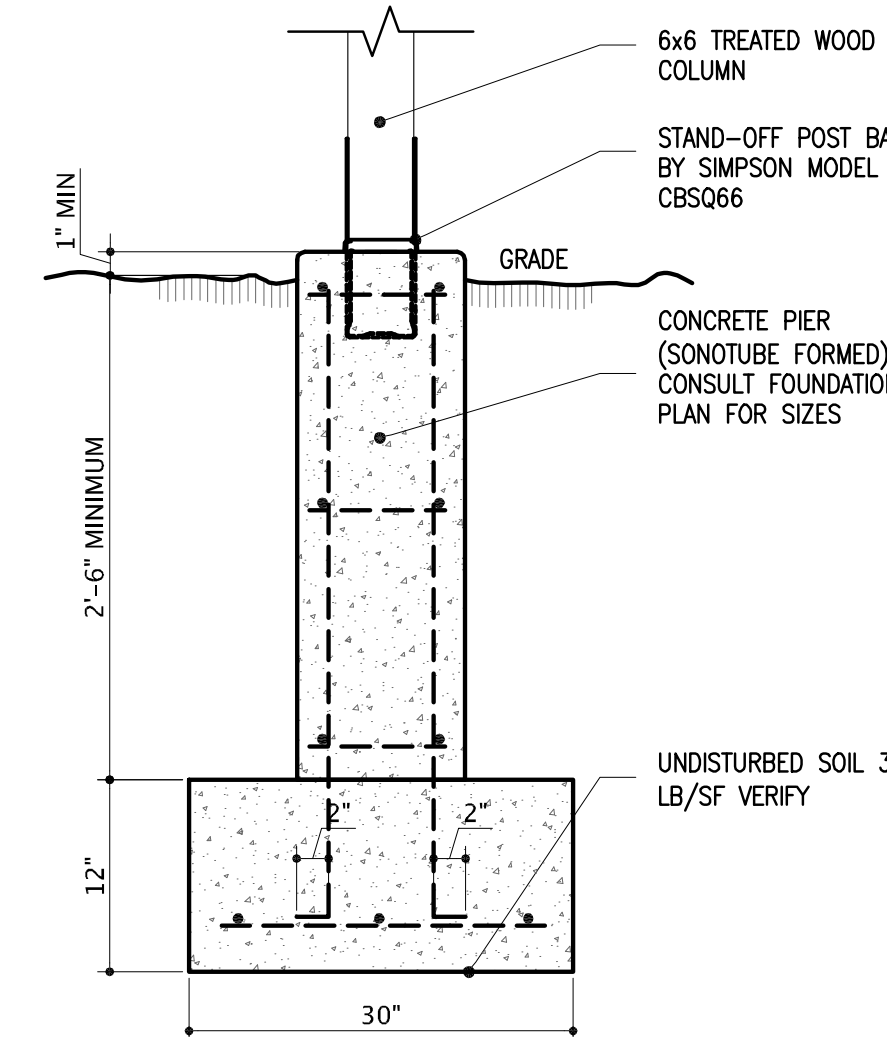
RAILING SECTION Scale: NTS
File: 5



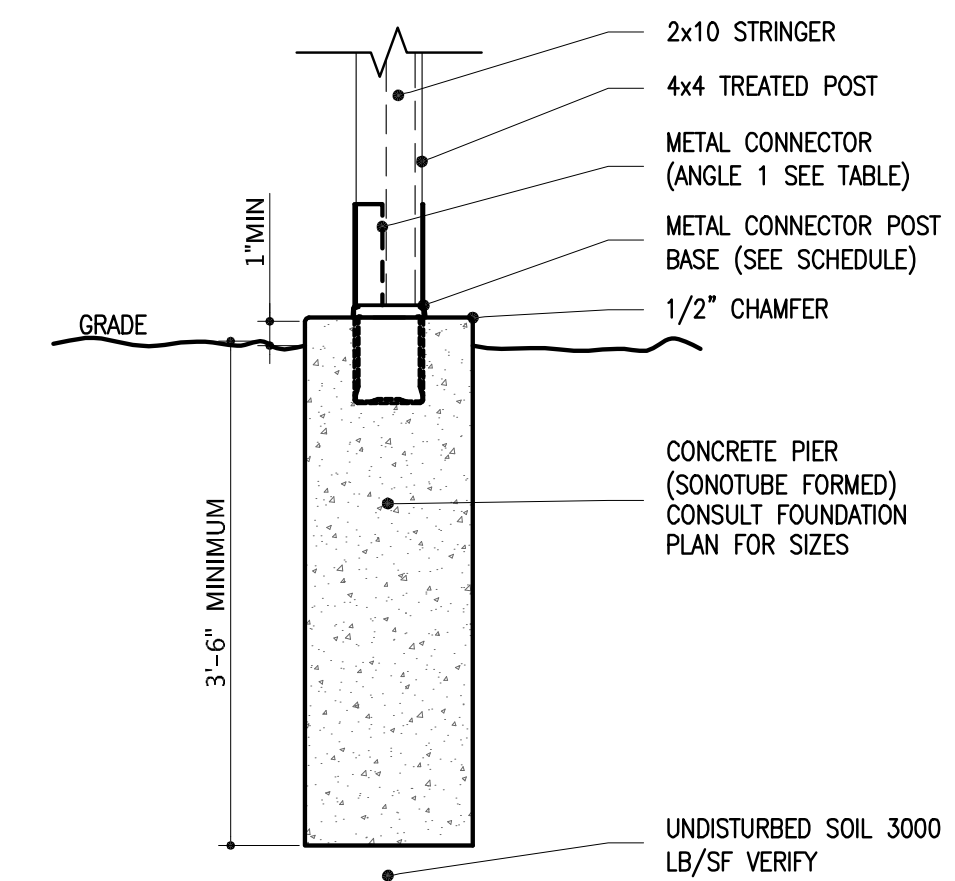
TYPICAL STAIR SECTION Scale: NTS
File: 6



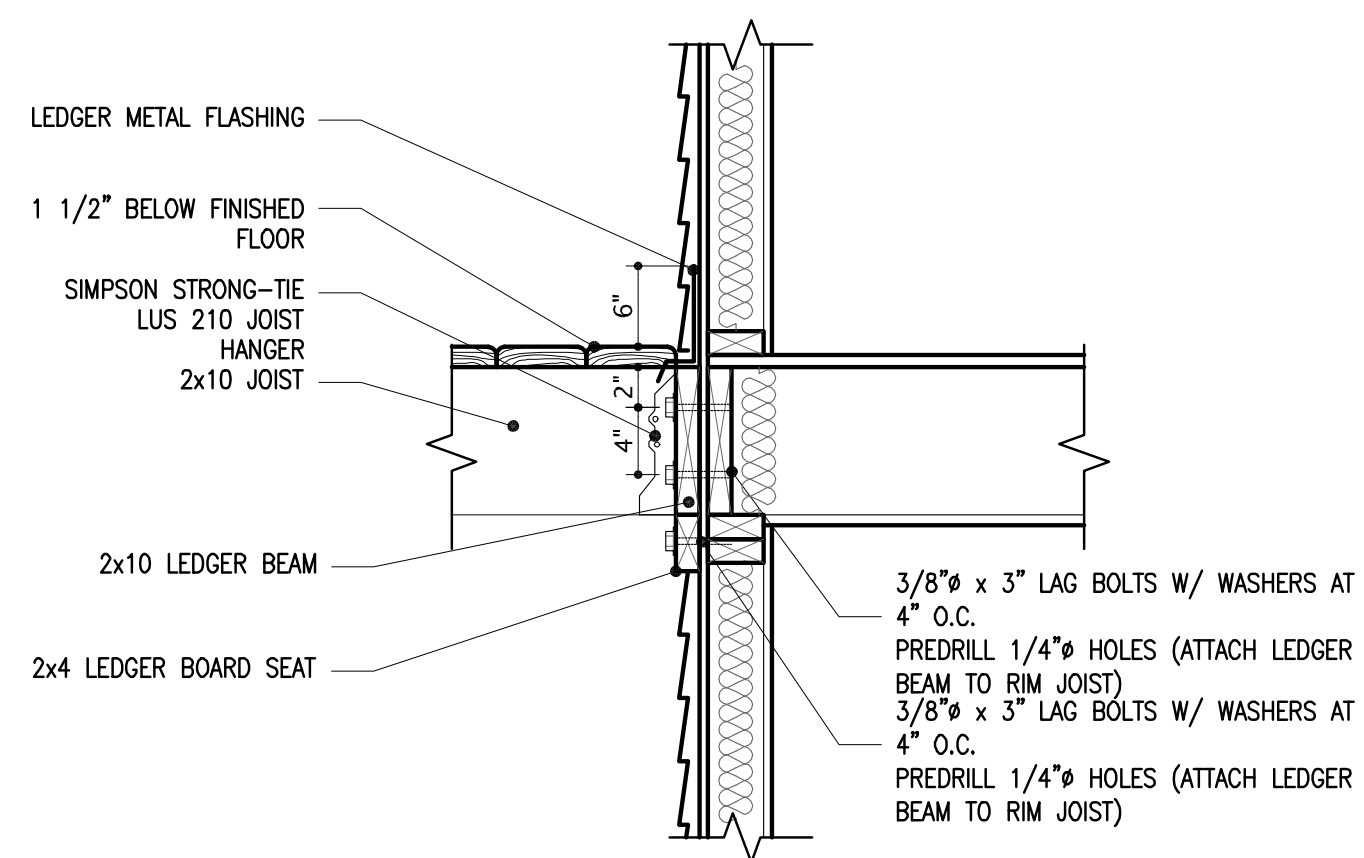
COLUMN PIER Scale: NTS
File: 7



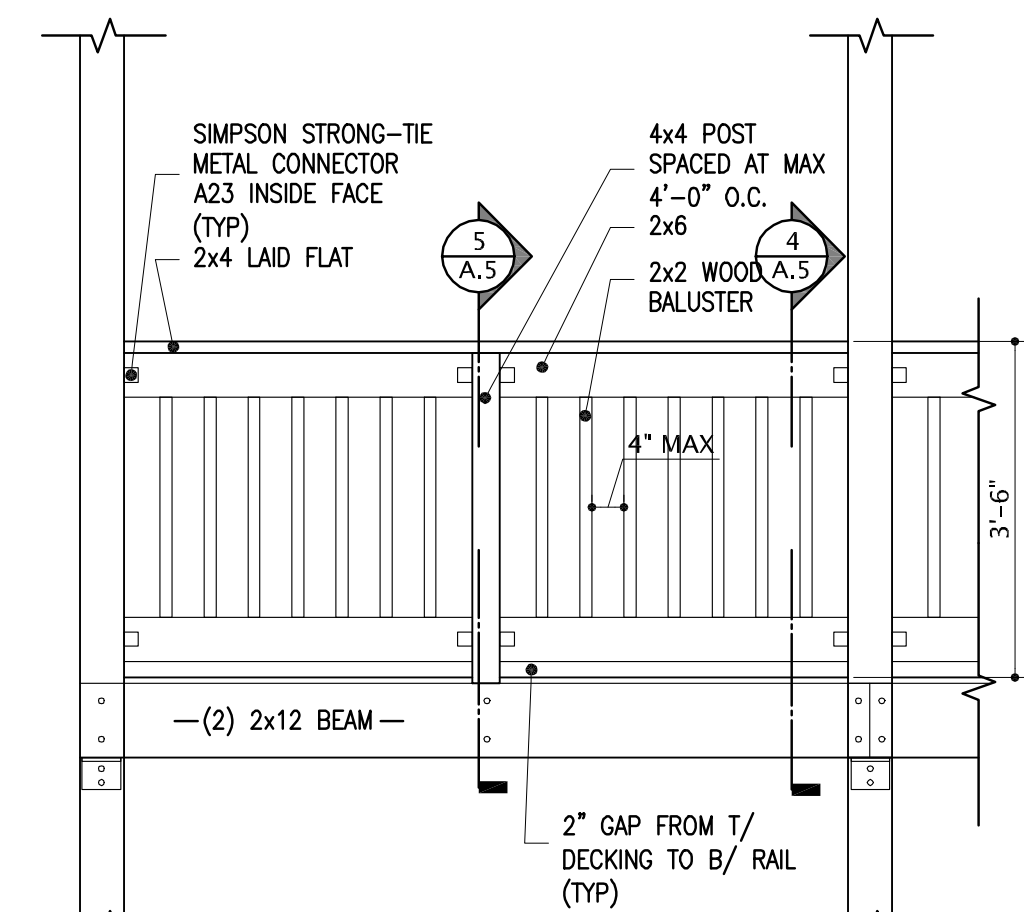
FOUNDATION DETAIL Scale: NTS
File: 8



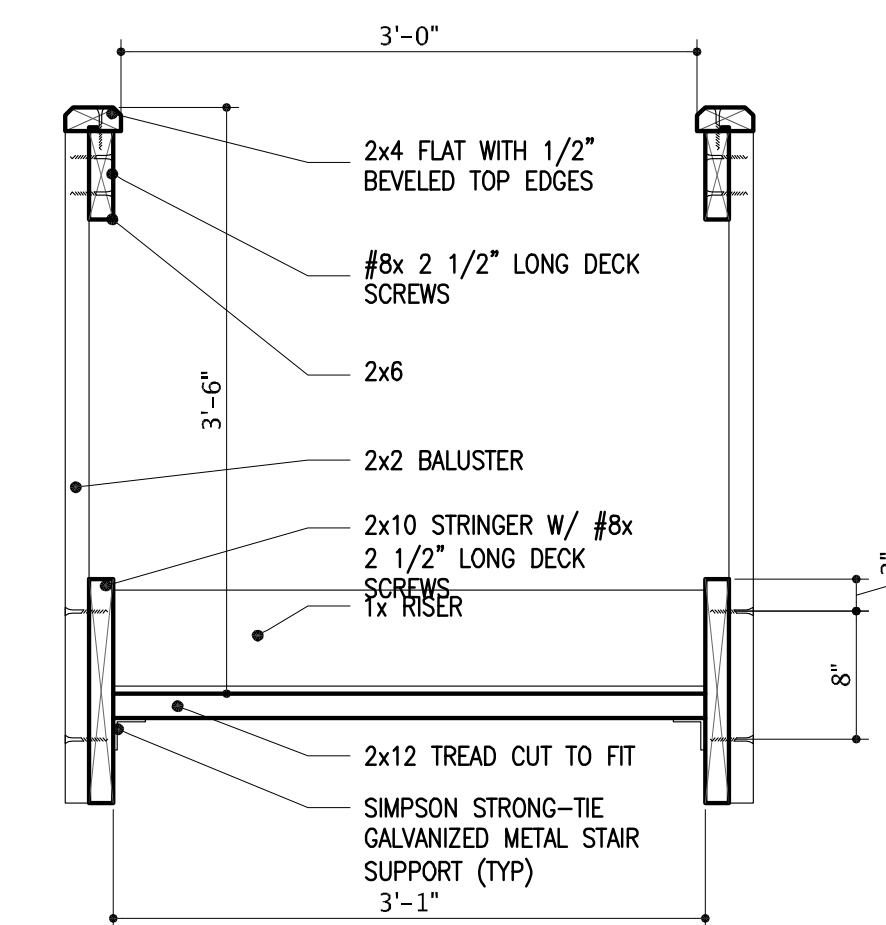
STAIR STRINGER FTG DET. Scale: NTS
File: 9



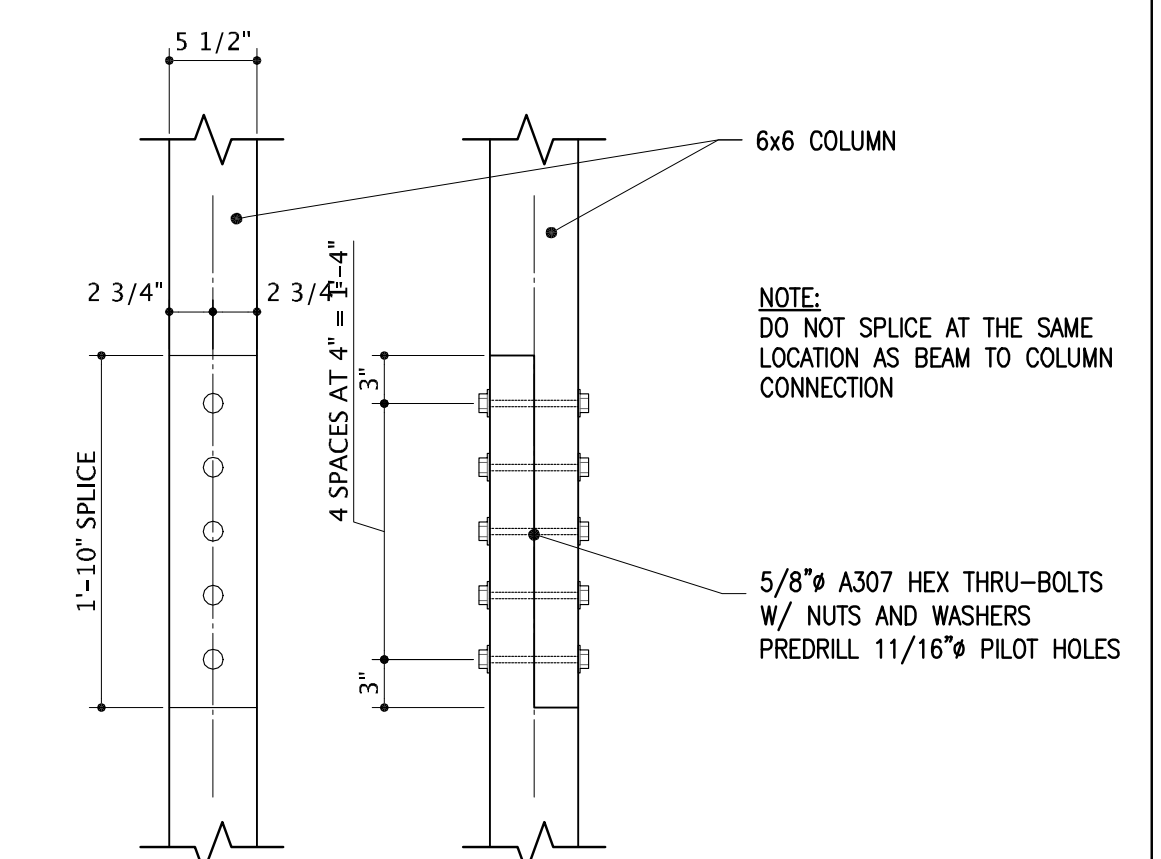
LEDGER DETAIL Scale: NTS
File: 10



RAILING ELEVATION Scale: NTS
File: 11



STAIR SECTION Scale: NTS
File: 12



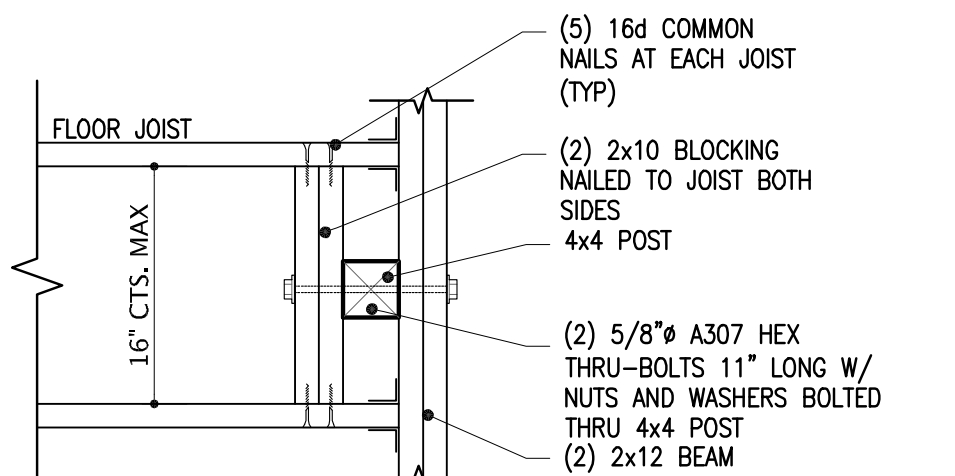
COLUMN SPLICE DETAIL Scale: NTS
File: 13

- PORCH NOTES:**
- SIZING OF FOOTINGS:**
- 1. 1 STORY PORCHES 1'-6" x 1'-6" x 1'-0"
 - 2. 2 STORY PORCHES 2'-0" x 2'-0" x 1'-0"
 - 3. 3 STORY PORCHES 2'-3" x 2'-3" x 1'-0"
- GENERAL PORCH NOTES:**
1. ALL MATERIALS SHALL BE WOLMANIZED OR TREATED WOOD
 2. ALL FASTENERS SHALL BE MADE OF GALVANIZED MATERIALS
 3. ALL DECK SCREWS SHALL BE CERAMIC COATED
 4. ALL DECK BOARDS SHALL BE PLACED AS SHOWN
 5. CAULK ALL JOINTS AND STAIN W/ 2 COATS STAIN EXCEPT TOP OF DECK BOARDS WHICH SHALL HAVE 2 COATS (THOMPSONS) WATER SEAL
 6. UNDER ENTIRE DECK REMOVE ORGANIC MILTREAT W/ INSECT REPEL THEN COVER W/ WEED BARRIER & 2 1/2" CLEAN PEA GRAVEL (TYP.) (NOT LIMESTONE)

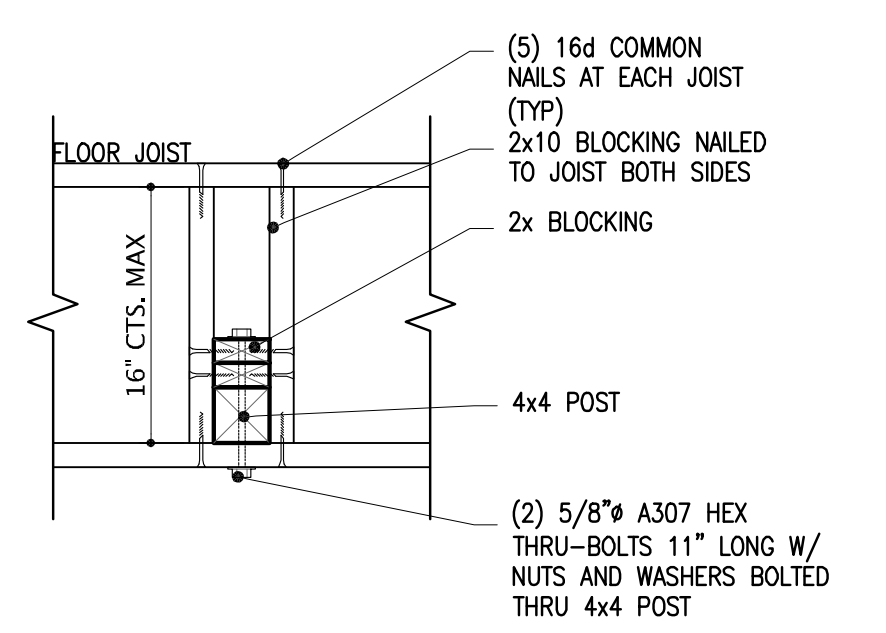
Item	SST Model	USP Model	Gage	Installation Hardware
Single Joist Hanger - 1	LUS210 Z or SS	JUS210TZ, SS	18	4-10d (Joist), 6-10d (header)
Double Joist Hanger - 2	LUS210-2 Z or SS	JUS210-2TZ, SS	18	6-16d (Joist), 6-16d (header)
Single Joist Hanger - 3	LUS28 Z or SS	JUS28TZ, SS	14	4-10d (Joist), 6-10d (header)
Double Joist Hanger - 4	LB28-2 Z	JUS28-2TZ	14	4-16d (Joist), 6-16d (header)
Metal Angle - 1	L90 Z	AC9 TZ	16	10-10d, 5 each leg
Metal Angle - 2	A23 Z	A3 TZ	16	"8-10d x 1-1/2", 4 each leg
Metal Angle - 3	TA9 Z or KT	SCA9 TZ	12	5-1/4" dia x 1-1/2" wood screw
Column Base 6x6 post	CBSQ66-SDS2	CBSQ66-SDS2 TZ	12, 14	14-1/4" dia x 2" wood screws
Post Base, Railing post	PBS44A	WAS 44 TZ	12, 14	14-18d, 2-1/2" dia bolts
Metal Strap	MSTA12	MSTA12 TZ, SS	16	10-10d
Post Base Plate	CPS 4	CPB44		4-10d

NOTES:
 Use smaller length nails with specified penny weight.
 SST—Simpson Strong Tie; USP—United Steel Products
 HDG—Hot Dipped Galvanized; SS—Stainless Steel
 Z—Z MAX Galvanized (G-185); TZ—Triple Zinc Galvanized (G-185)
 Reference: City of Chicago Guide to Porch and Deck Design and Construction

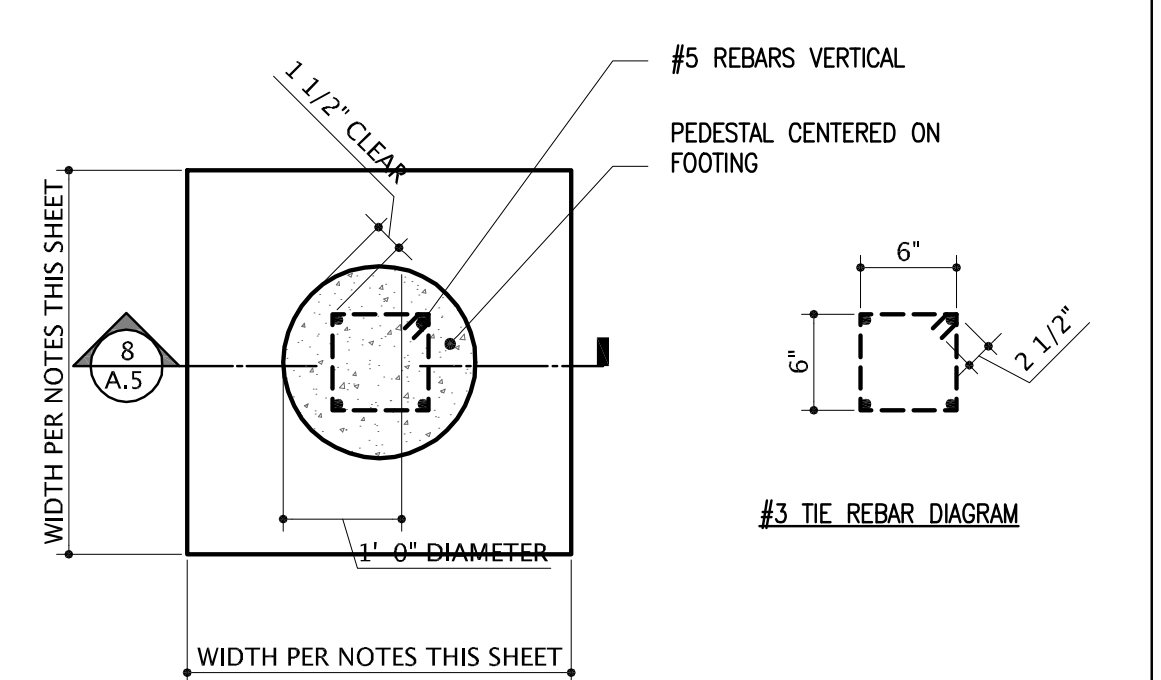
CONNECTOR SCHEDULE Scale: NTS
File: 14



RAILING POST AT BEAM Scale: NTS
File: 15



RAILING POST AT JOIST Scale: NTS
File: 16



PEDESTAL DETAIL Scale: NTS
File: 17

NO.	DESCRIPTION
1	
2	
3	

This drawing is the sole property of KBP, Inc., and is protected under US copyright law and the Architectural Works Protection Act of 1990. The copy of this drawing and/or distribution to unauthorized personnel or construction of the structure depicted herein without express written consent of KBP, Inc., would constitute infringement of KBP, Inc. The recipient of this drawing acknowledges and agrees that the ownership of the drawing and all other right, title, and interest therein, including without limitation, all rights under US Copyright and other intellectual property law, are retained by KBP, Inc. COPYRIGHT © 2009 ALL RIGHTS RESERVED