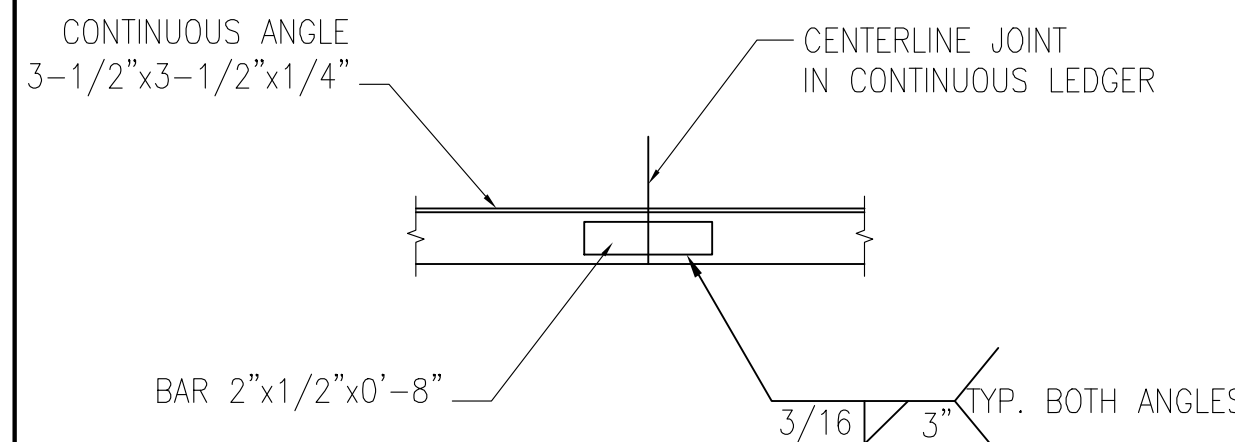
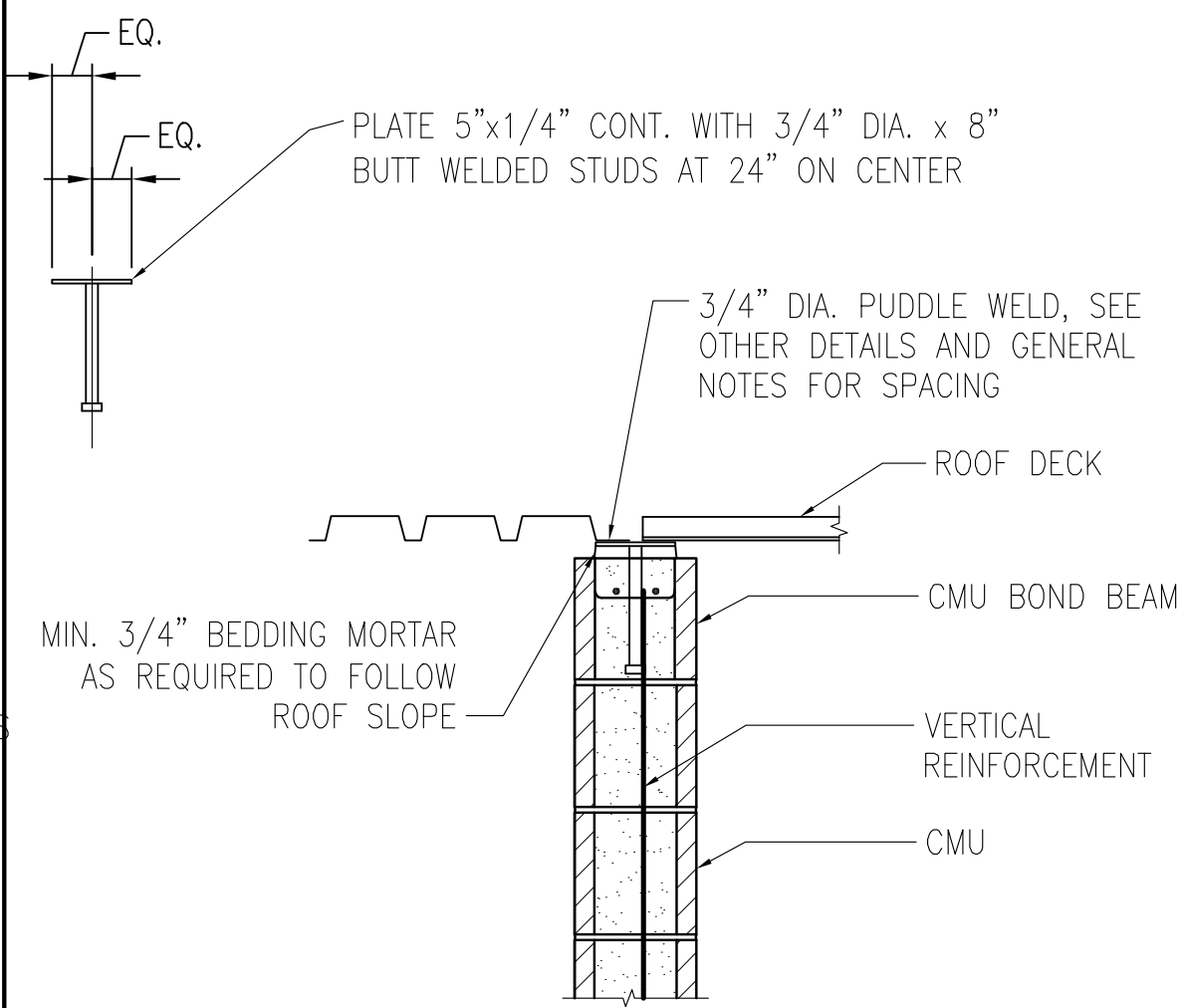


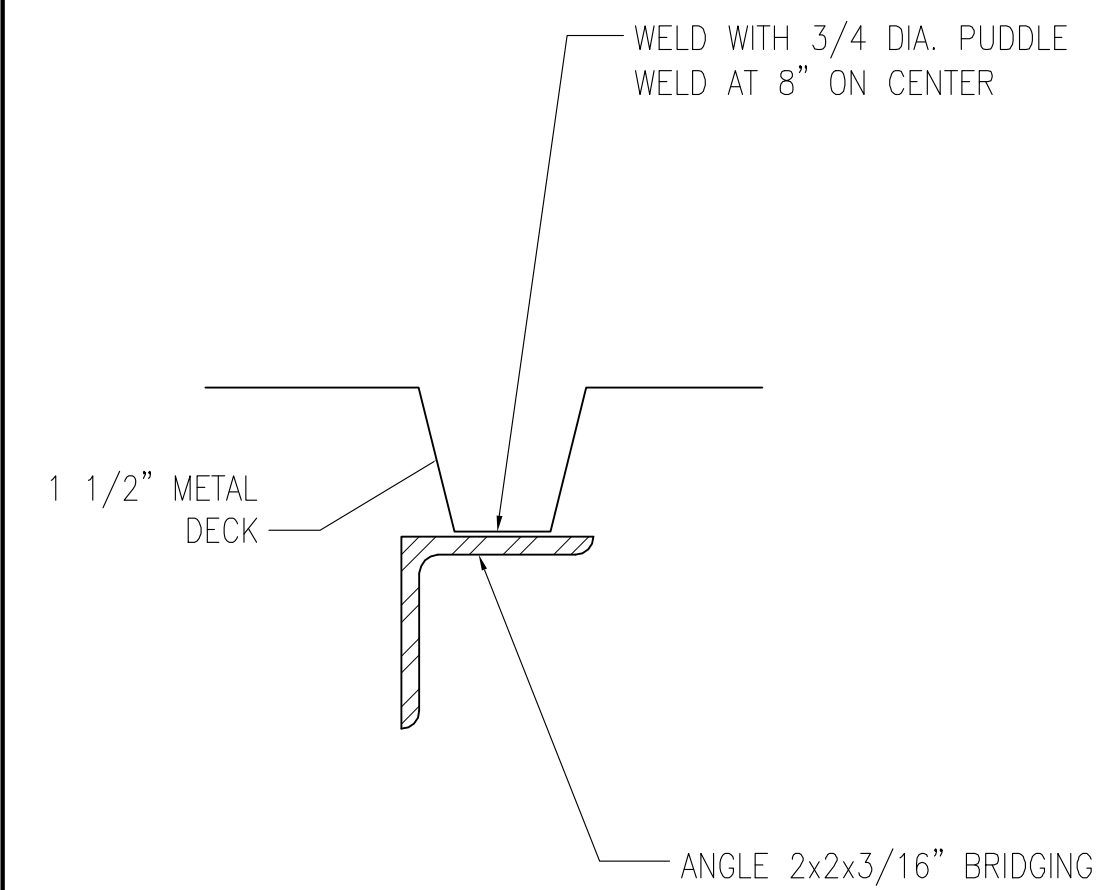
TYP. OWJ AUX. MEMBER AND HANGER Scale: N.T.S. File: 1



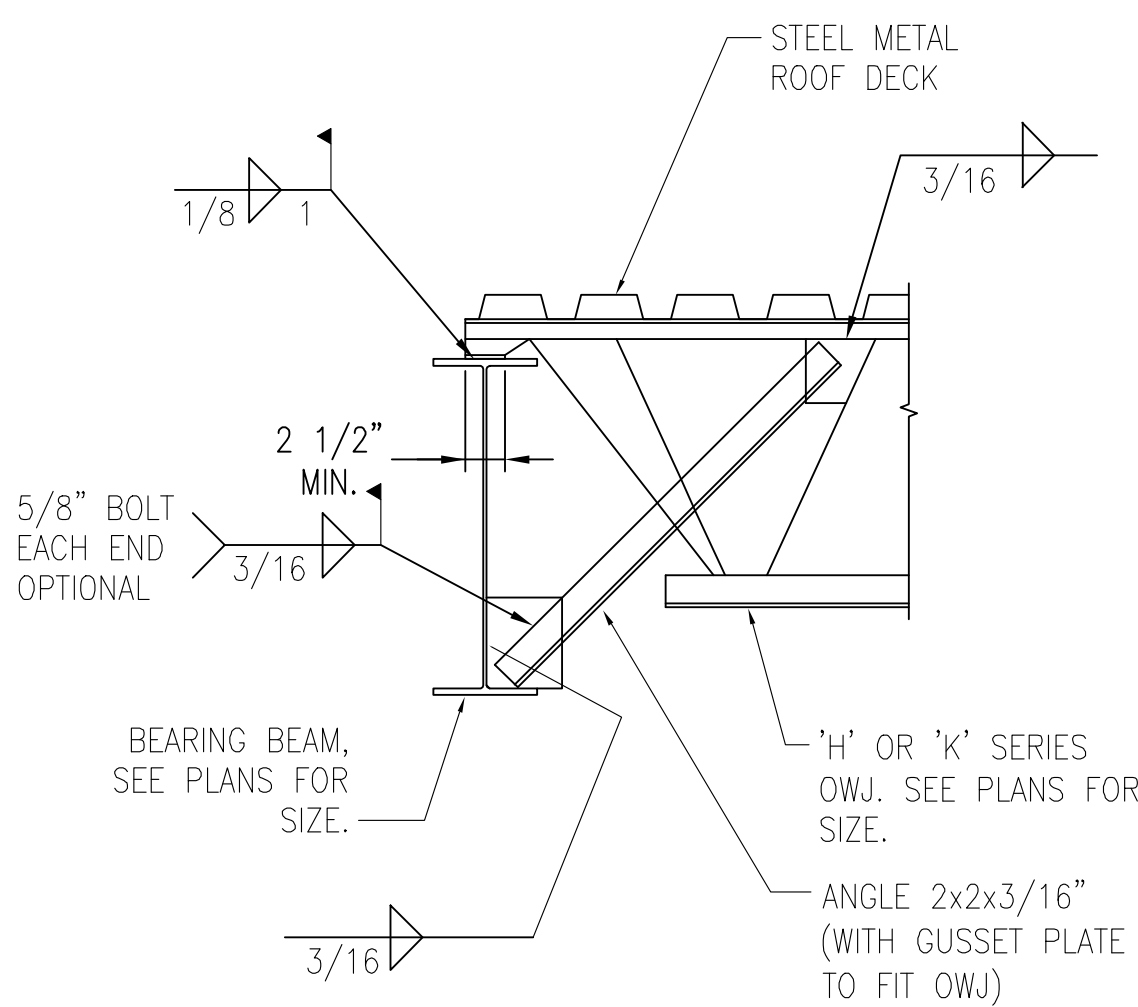
TYP. CONTINUOUS LEDGER SPLICE Scale: 1 1/2\"/>



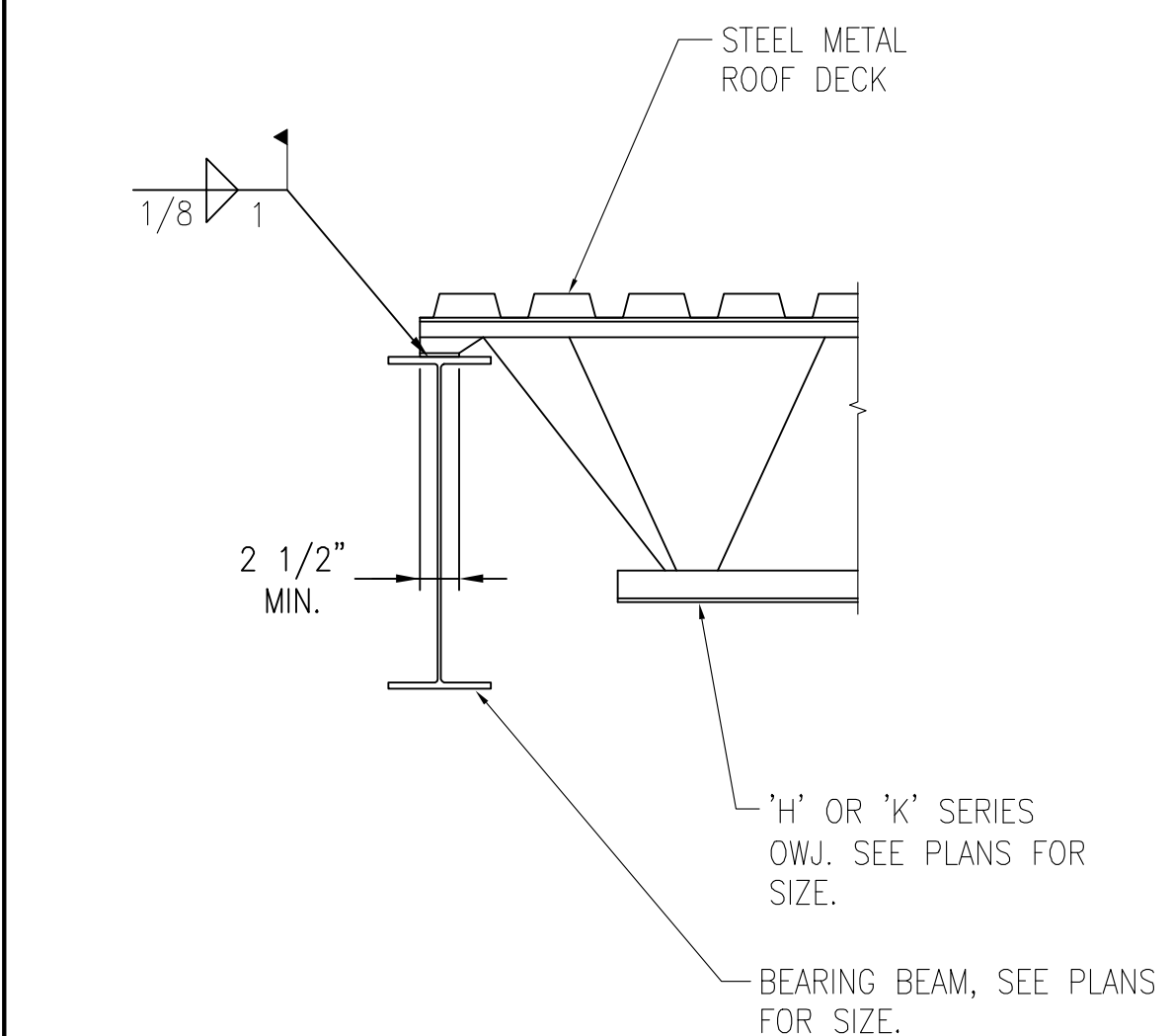
TYP. CMU/ROOF DECK CONNECTION Scale: 1\"/>



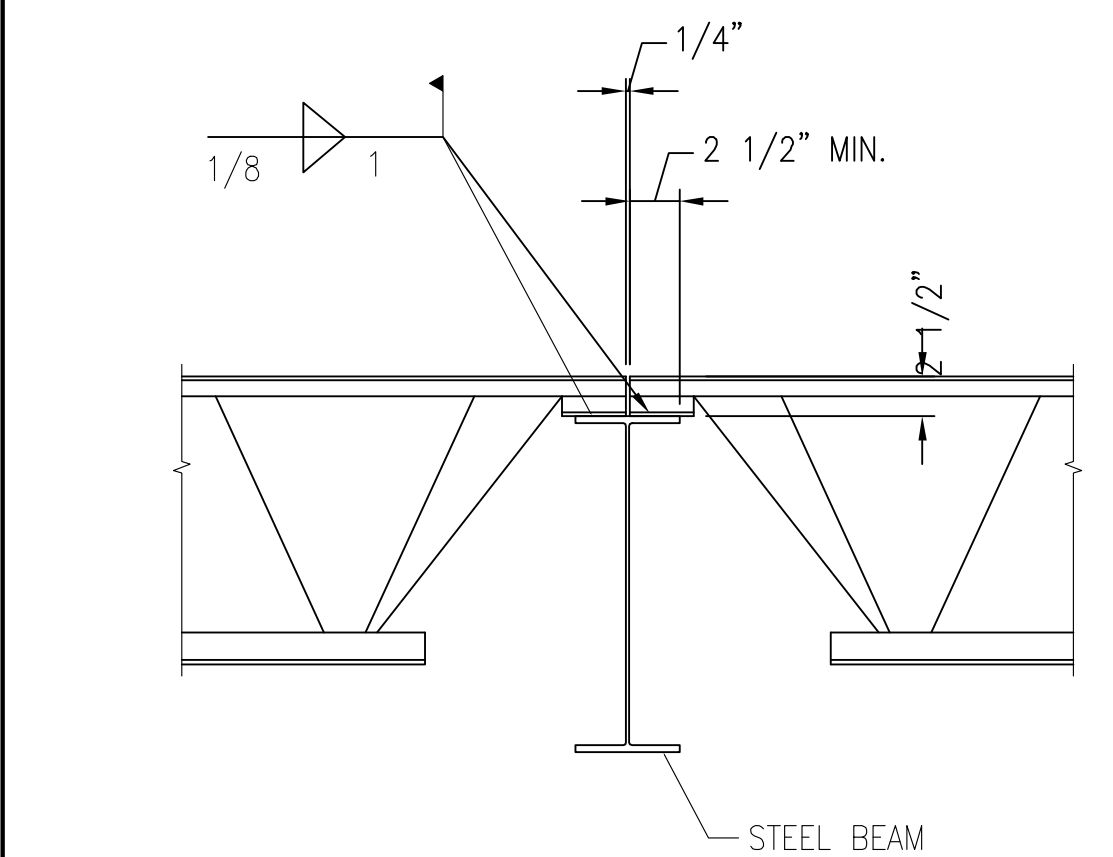
TYP. OWJ BRIDGING TO ROOF DECK Scale: N.T.S. File: 4



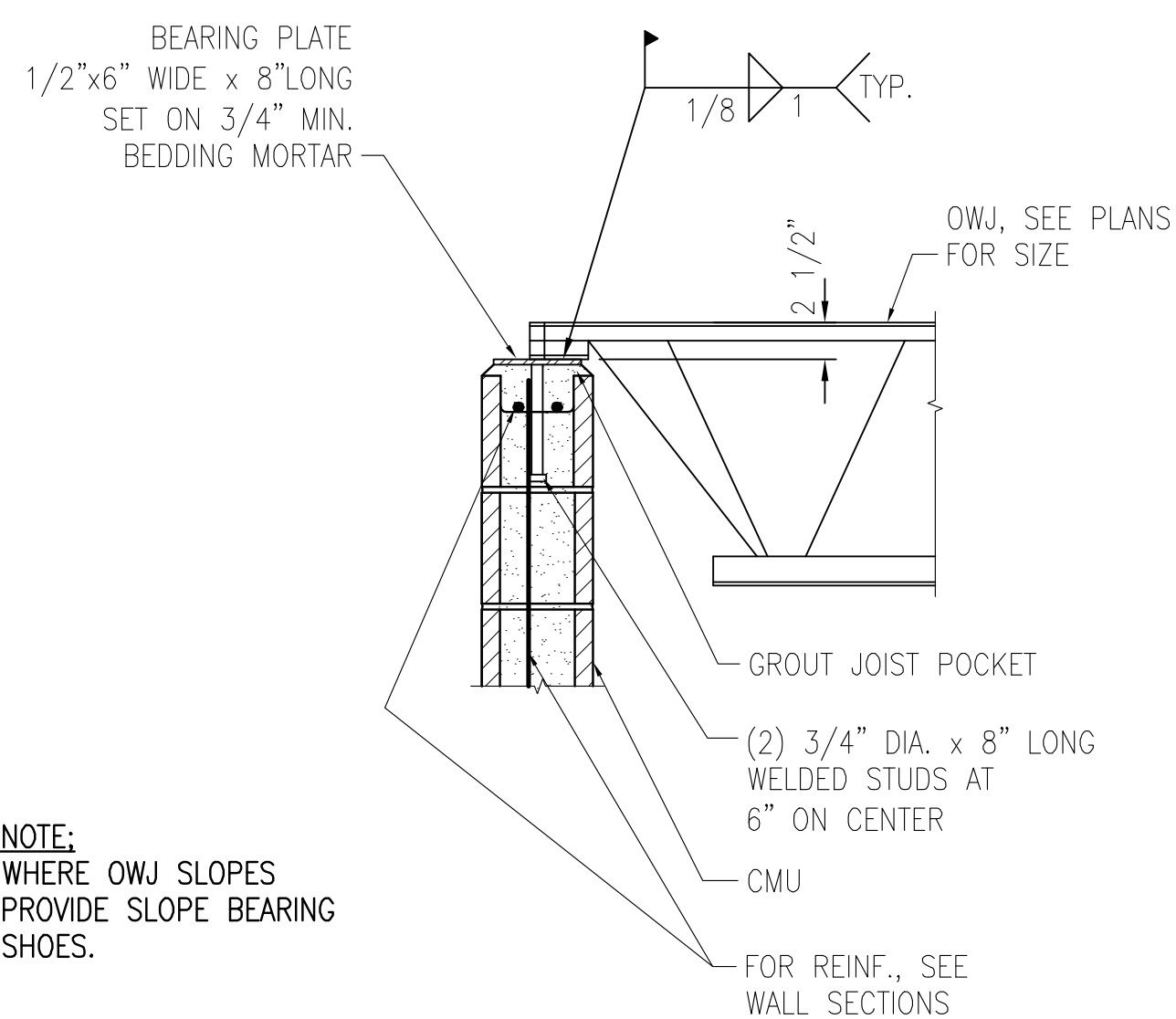
NOT USED Scale: N.T.S. File: 5



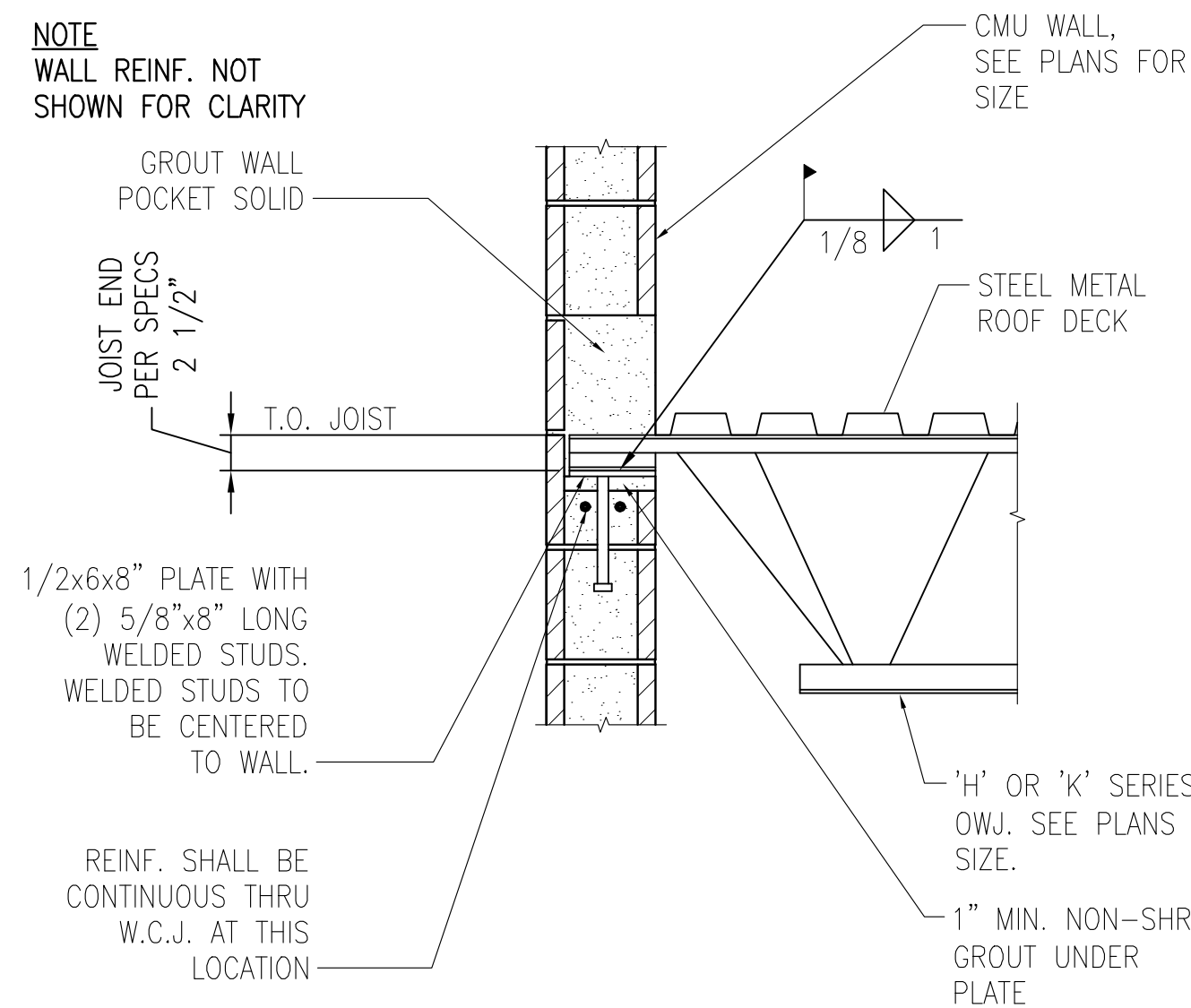
OWJ BEARING ON BEAM Scale: 1\"/>



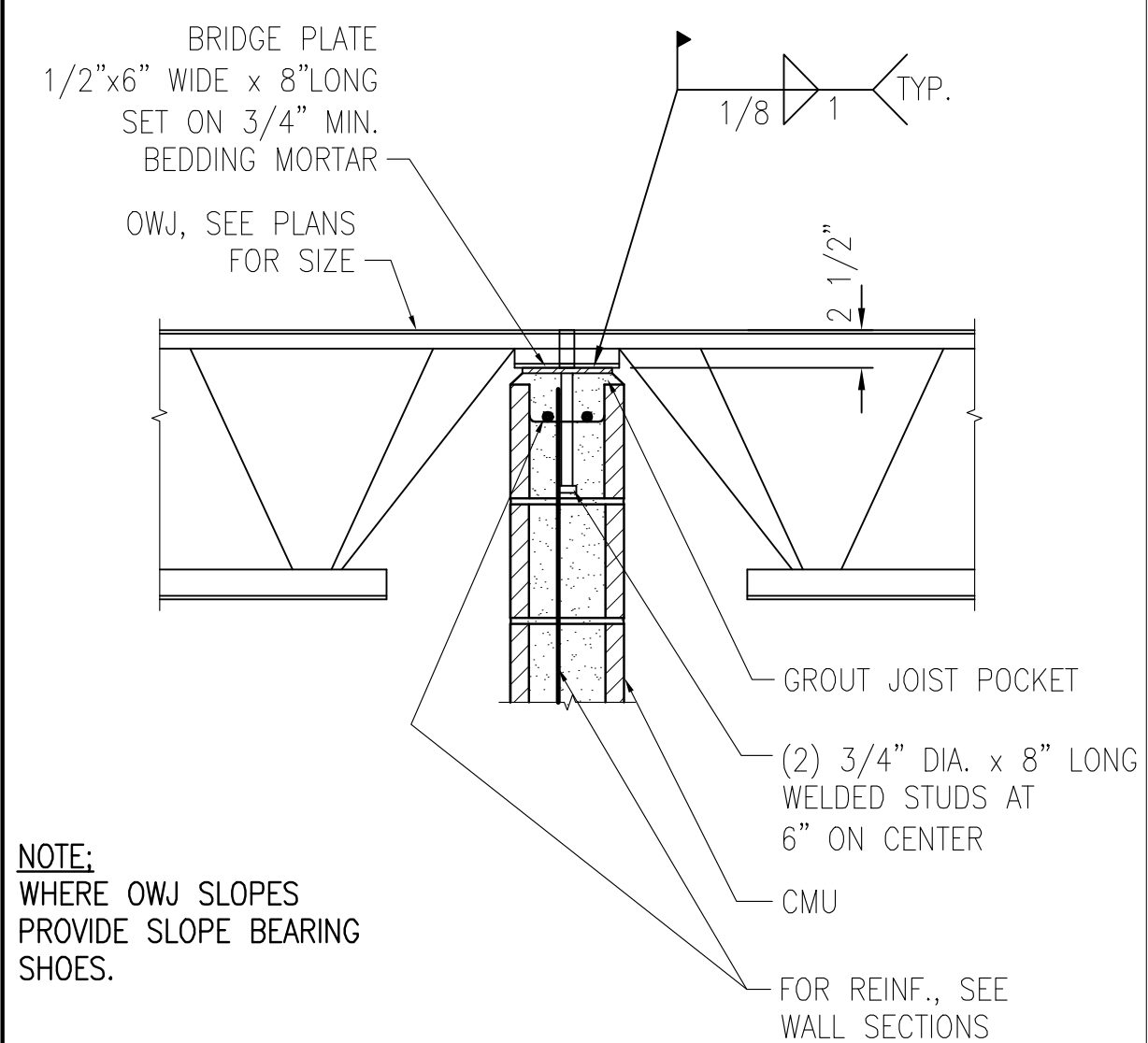
OWJ SUPPORT AT BEAM Scale: 1\"/>



TYP. OWJ BEARING ON CMU Scale: N.T.S. File: 9



TYP. OWJ/CMU SEAT Scale: 1\"/>



TYP. OWJ BEARING ON CMU Scale: N.T.S. File: 11