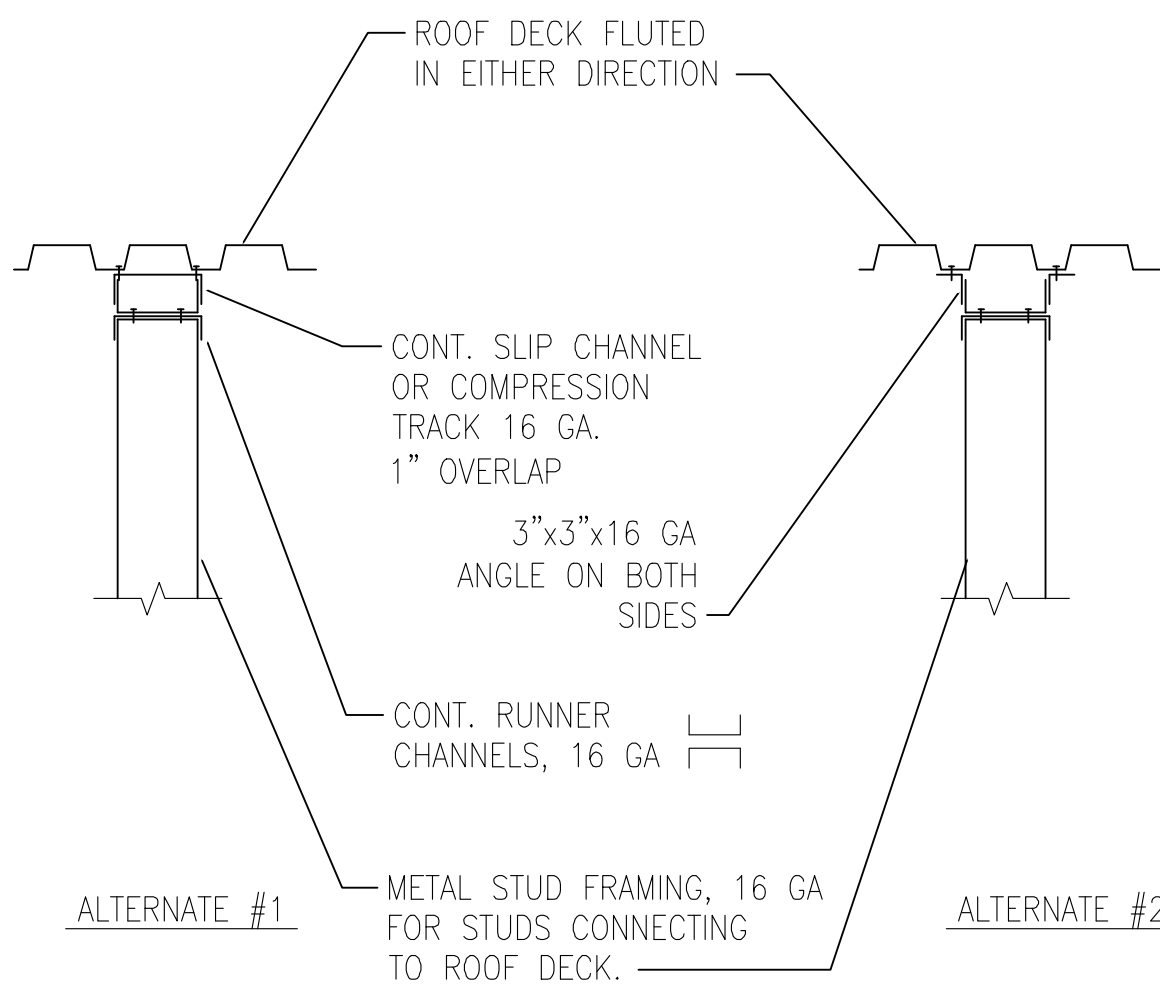


TYP. LATERAL SUPPORT OF STUD PARTITION

LATERAL SUPPORT

Scale: N.T.S.
File:

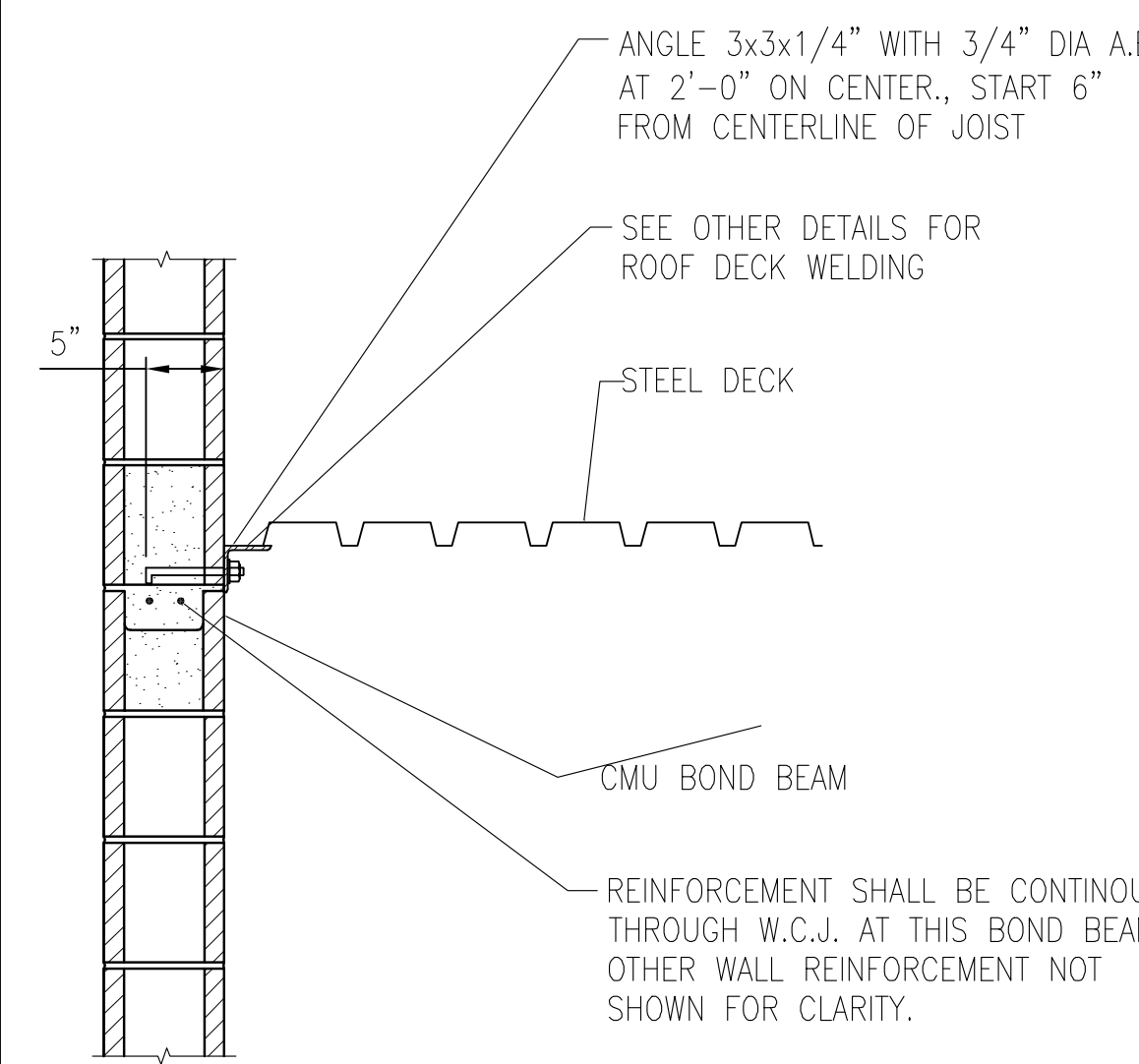
1



STUD WALL TO DECK CONNECTION

Scale: 1 1/2"=1'-0"
File:

2



TYP. ROOF LEDGER BETWEEN OWJ

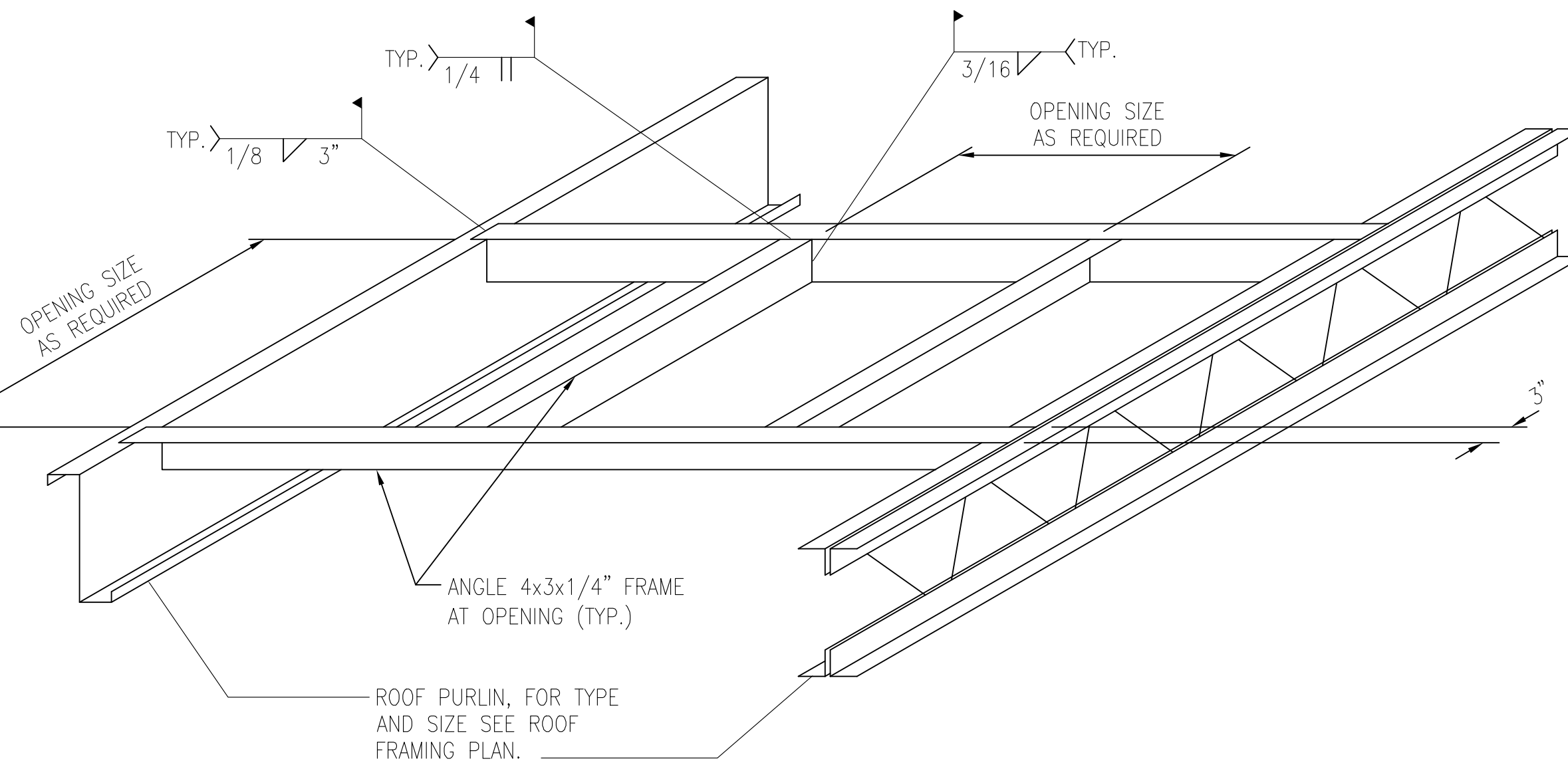
Scale: 1"=1'-0"
File:

3

NOT USED

Scale: NTS
File:

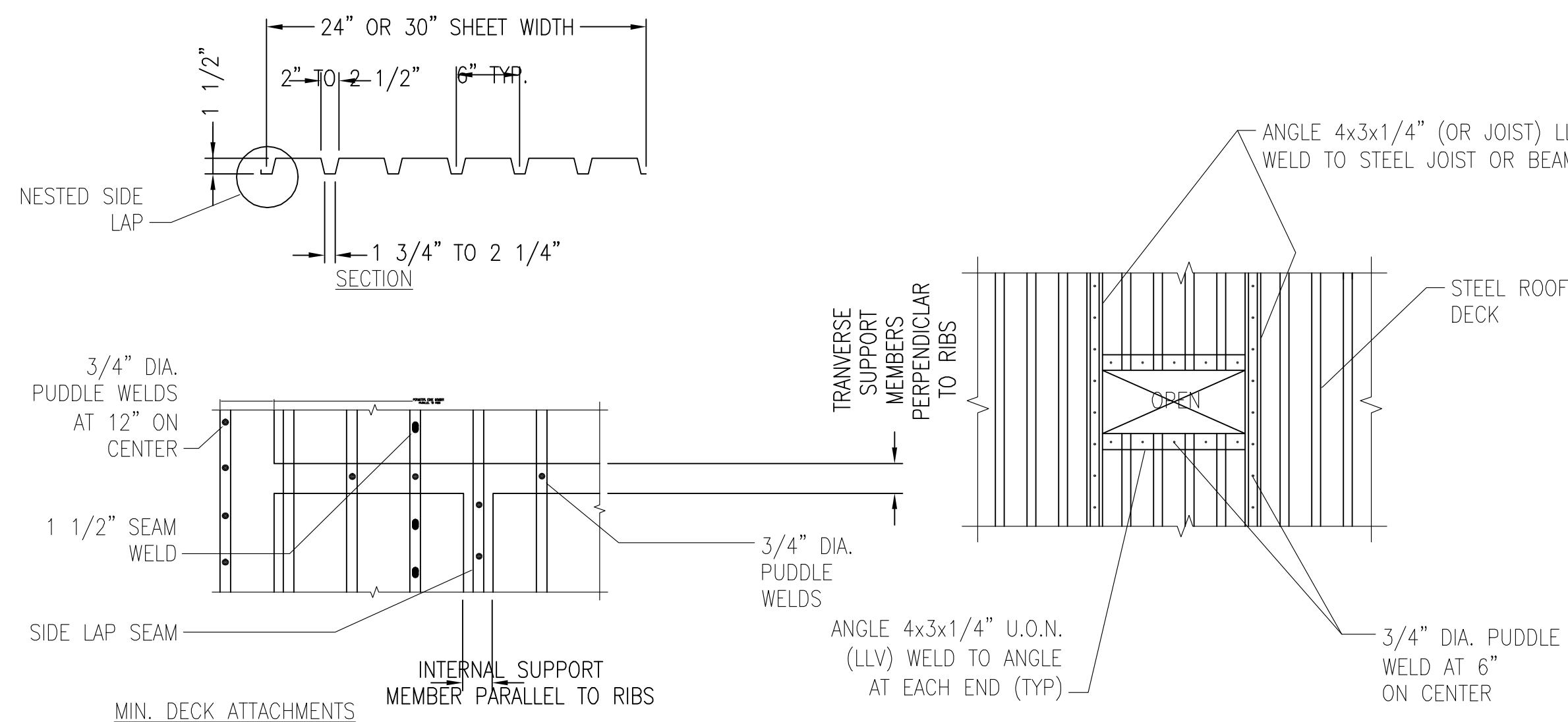
4



TYP. FRAMING FOR ROOF DECK OPENING > 12 INCH

Scale: 1"=1'-0"
File:

5



TYP. WIDE RIBBED DECKING

Scale: 1"=1'-0"
File:

6

OPENING 12" OR LESS

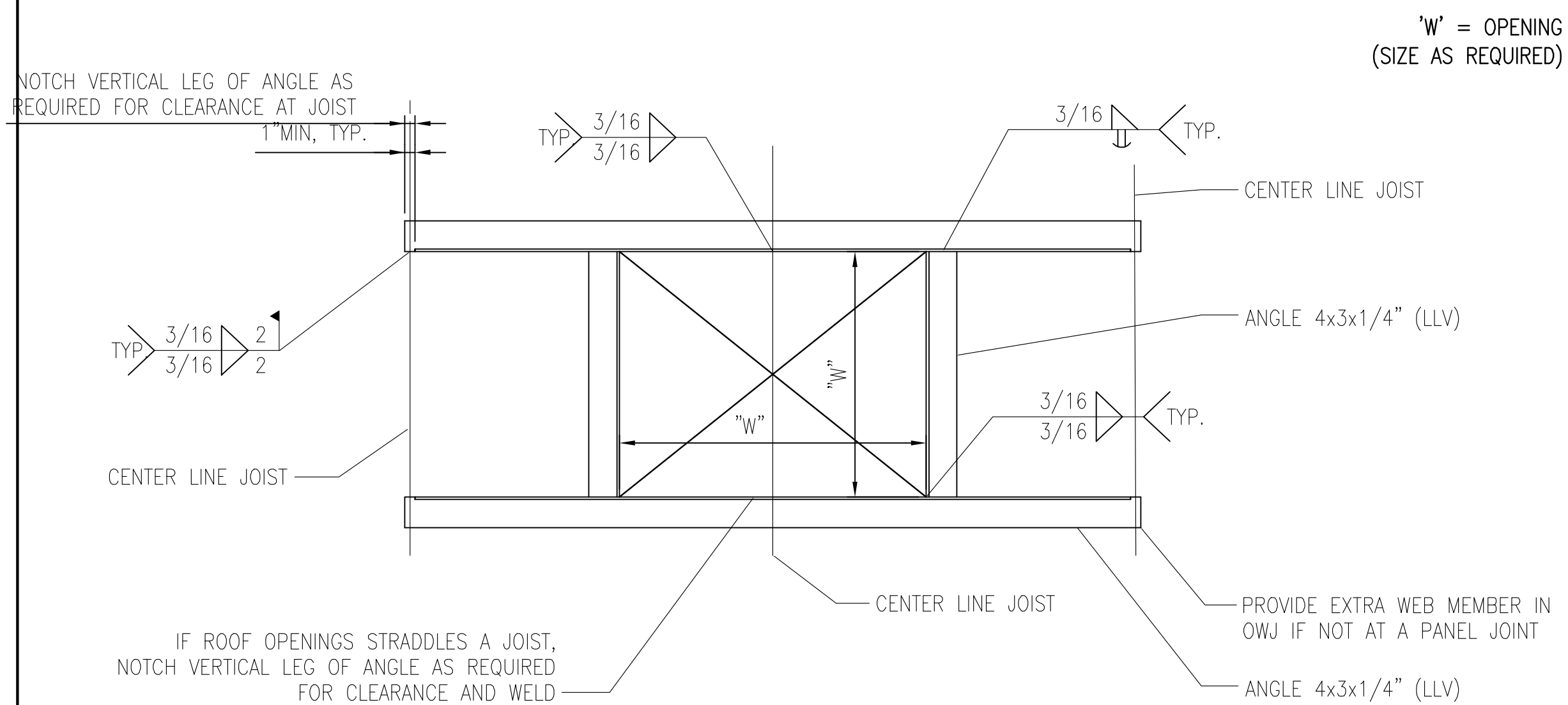
Scale: 1"=1'-0"
File:

7

ROOF DECK CONNECTION

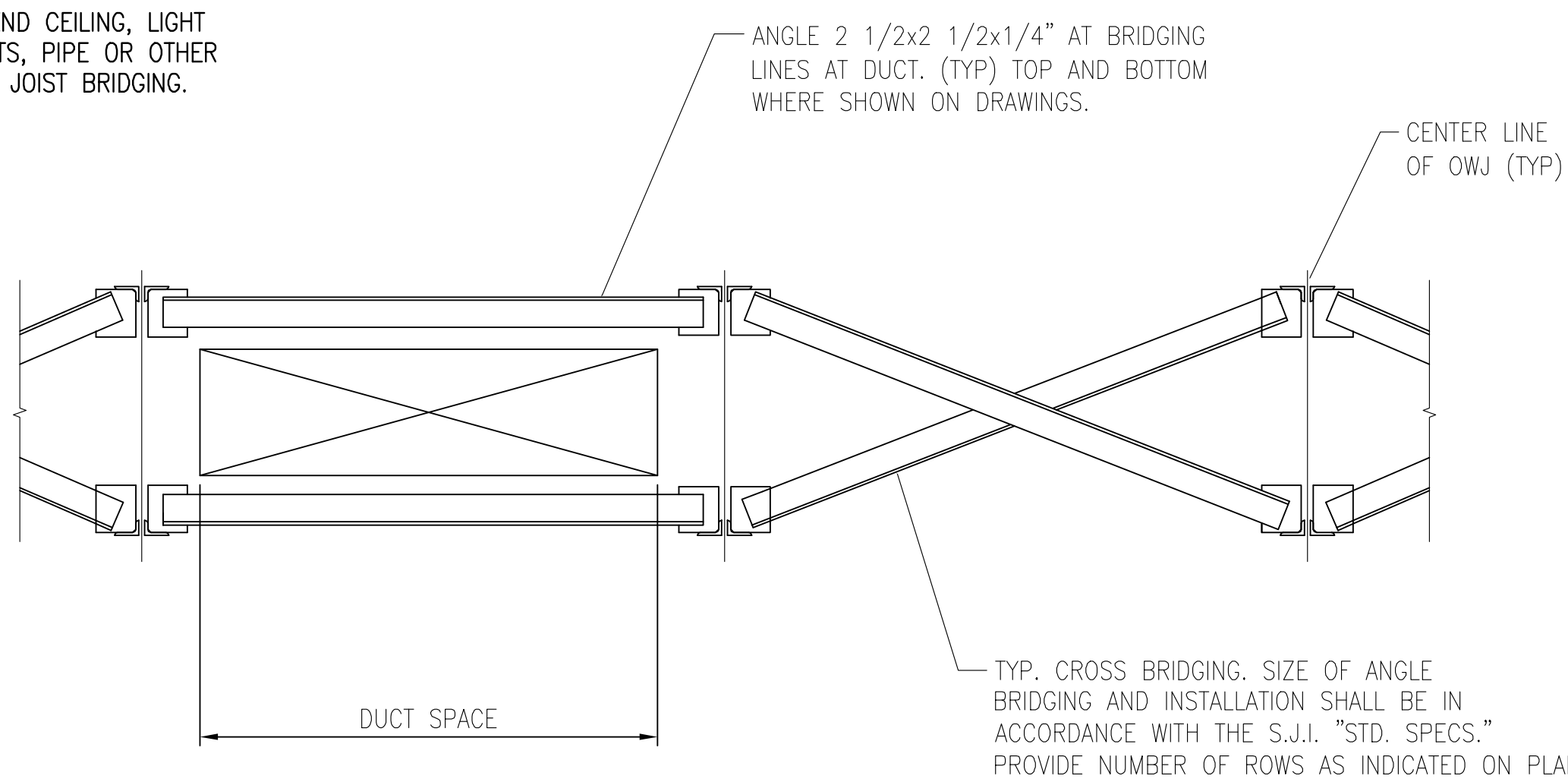
Scale: 1"=1'-0"
File:

8



'W' = OPENING (SIZE AS REQUIRED)

NOTE:
DO NOT SUSPEND CEILING, LIGHT FIXTURES, DUCTS, PIPE OR OTHER UTILITIES FROM JOIST BRIDGING.



TYP. CROSS BRIDGING. SIZE OF ANGLE BRIDGING AND INSTALLATION SHALL BE IN ACCORDANCE WITH THE S.J.I. "STD. SPECS." PROVIDE NUMBER OF ROWS AS INDICATED ON PLANS.